



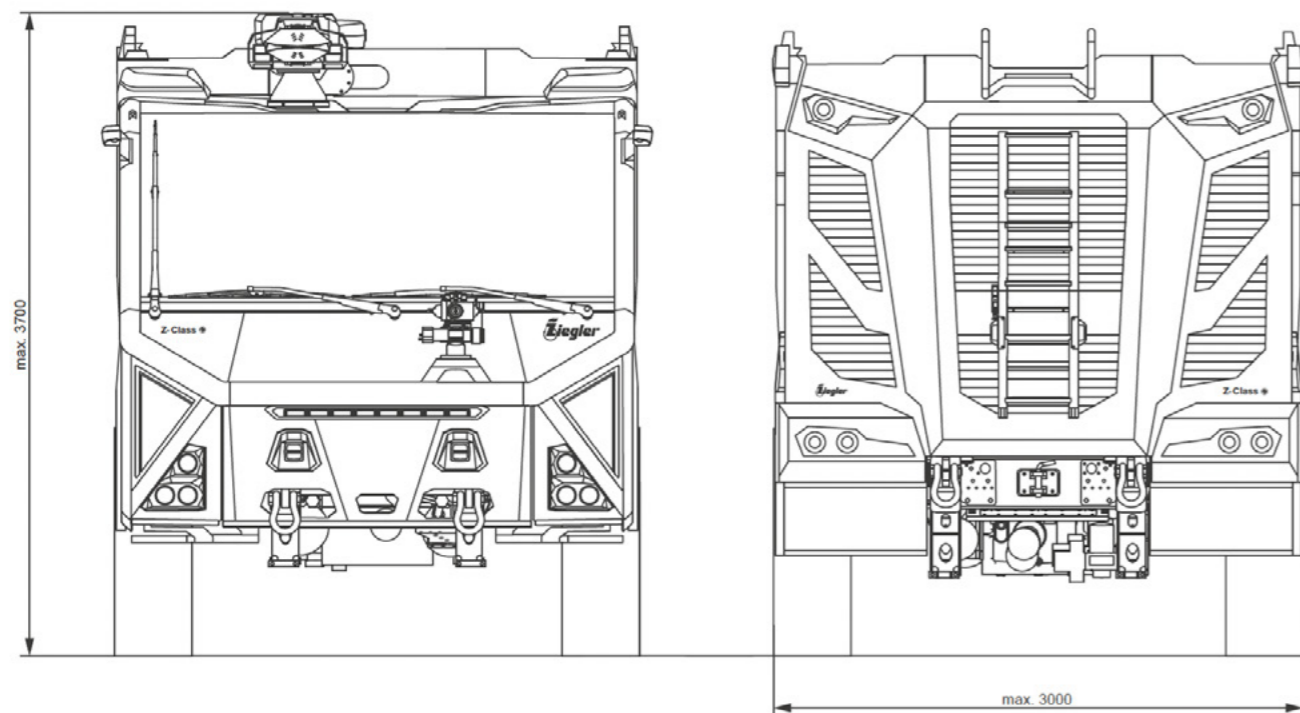
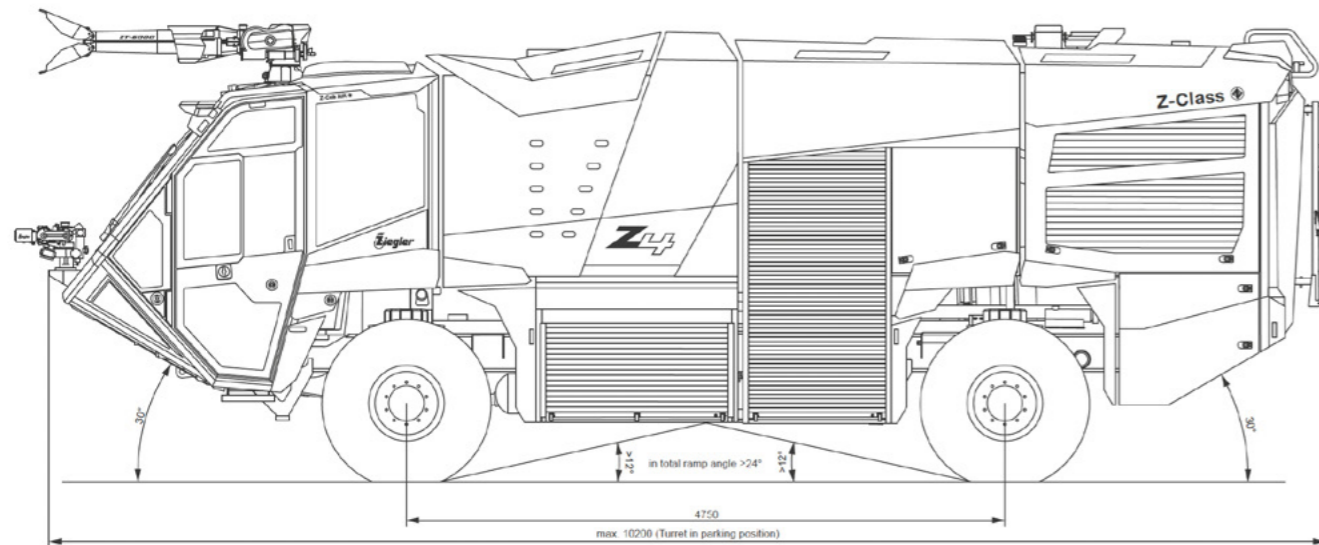
VENARI



Z-CLASS Z4

Venari - Official Partners of Ziegler.

TECHNICAL SPECIFICATION



Engine type / Power

Scania DC16 / 566 kW (770 HP)

Drive / Performance

Permanent 4 × 4 / 0 - 80 km/h in < 20 sec, Vmax 120 km/h

Transmission

Continuously (stepless), fully automatic

Wheelbase

4,750 mm

Max. GVW / Axle load

26,000 kg / 13,000 kg

Vehicle dimension

L×W×H: 10,200 × 3,000 × 3,700 mm

Norms / Standards

ICAO, EASA, NFPA, ADV, EC, CCCF

Cabin / Crew

ZIEGLER security cab Z-Cab AiR / up to 1 + 5

Superstructure

ALPAS of the latest generation

Centrifugal fire pump

■ ZIEGLER FPN 10-6000, PTO-driven

■ Pump optionally made from bronze

■ Optional FPN 10-8000, PTO-driven

■ Stainless steel piping optional

Mixing system

ZIEGLER EAD

Water tank

6,000 l; corrosion resistant GRP material

Foam tank

800 l; corrosion resistant GRP material

Turret

■ Bumper turret ZT-2000, optionally lowerable

■ Roof turret ZT-6000 (series), ZT-8000 (optional)

Additional extinguishing systems

■ High-pressure pump

■ 120 kg CO2 system

■ 250 kg dry powder system

■ CAFS

■ Rapid intervention units

Special equipment

■ Assistance systems (Roll over prevention, navigation unit)

■ Light mast

■ Camera systems (IR, color, BirdView, mirror replacement)

■ Handholds for turret operation

■ Additional lights (working, environment, flashing)

■ Automatic foldable guardrail on roof



 VENARI



Z-CLASS Z4

Venari - Official Partners of Ziegler.